

# TRB141

## GPIO LTE GATEWAY BOARD

Industrial LTE Cat 1 Gateway Board TRB141 is equipped with multiple Inputs/Outputs and Micro-USB port. TRB141 compact design makes this Gateway perfect for an application where a sole gadget must be remotely managed using I/O's. TRB141 is engineered to be used in Industrial applications therefore it has a wide range of software features such as SMS control, Firewall, RMS and FOTA support.



Multiple Inputs/Outputs for remote monitoring and control



LTE Cat 1 for M2M/IoT communications



Compact size, easy integration



Wide range of power supply voltages



Teltonika Remote Management System compatible



Easy to use, secure and feature rich OpenWrt based Operating System

### EFFICIENT

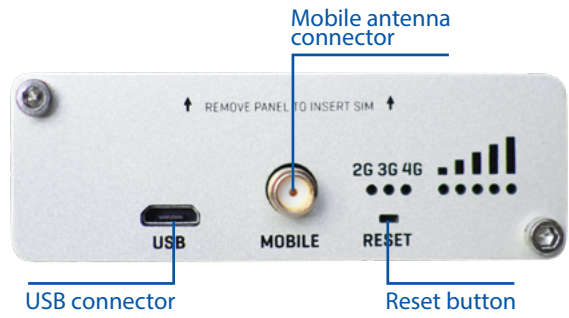
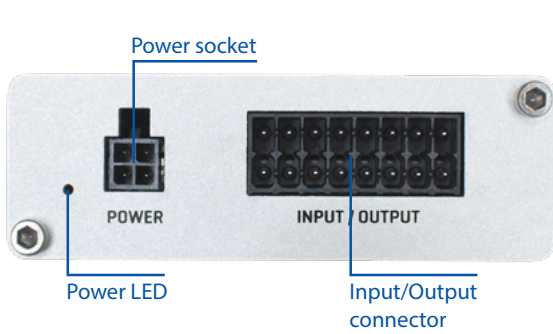
- Easy Integration
- Compact size
- Low Power consumption

### ADVANCED

- LTE Cat1 for IoT GPIO connectivity
- High performance
- Open platform with SDK

### SECURE

- OpenVPN and IPsec
- Advanced Firewall
- Remote management system compatible



### Hardware

Mobile	LTE(Cat1)/3G/2G
SIM slot	Mini SIM (2FF)
Antenna connector	1 x SMA for LTE
Inputs/Outputs	2 x Digital inputs, 2 x Relay outputs, 1 x Analog input, 1 x Isolated input, 2 x Digital Inputs/Outputs on power connector
CPU	ARM Cortex-A7 1.2 GHz CPU
RAM	128 MBytes (50 Mbytes available for userspace)
Flash	512 MBytes (70 Mbytes available for userspace)
Input voltage range	9 - 30 VDC
Power connector	4 pin industrial DC power socket
Configuration interface	Virtual NIC via Micro-USB connector
LED Indicators	Power, signal, network and data status LEDs
Operating temperature	-40° C to 75° C
Dimensions	60 mm x 70 mm x 18 mm

### Software

Operating system	Linux OS with Yocto SDK (offering high software customisation)
Network	NAT, Firewall (port forward, traffic rules, custom rules), DDNS ( >25 service providers supported)
Remote management	RMS Support, FOTA support, SSH, CLI, SMS Utilities (status/configuration)
Status watchdogs	Ping reboot, periodic reboot
Additional features	Internet connectivity over USB virtual network interface