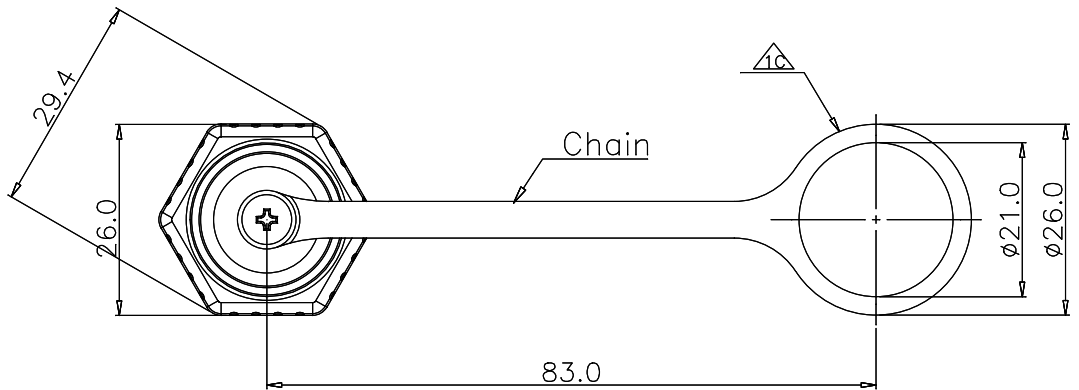
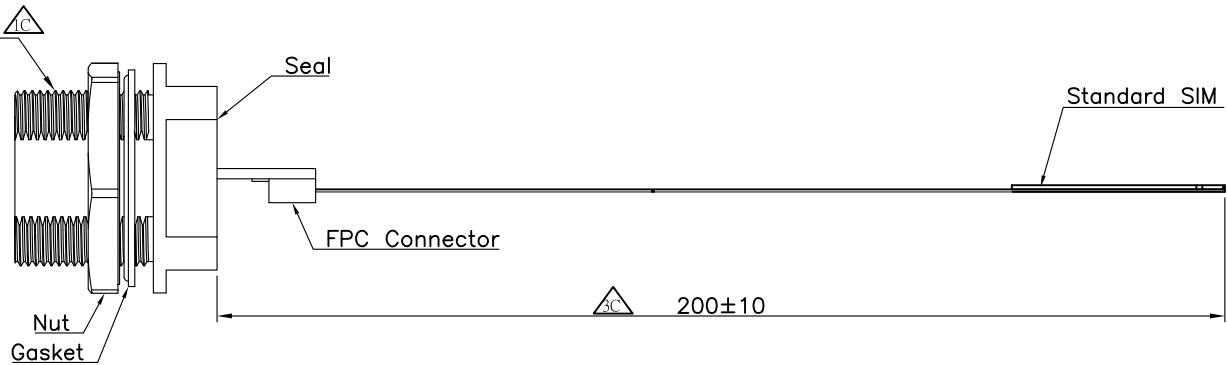
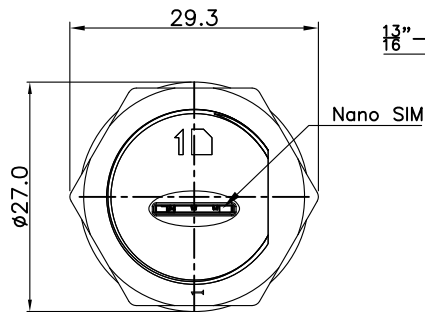
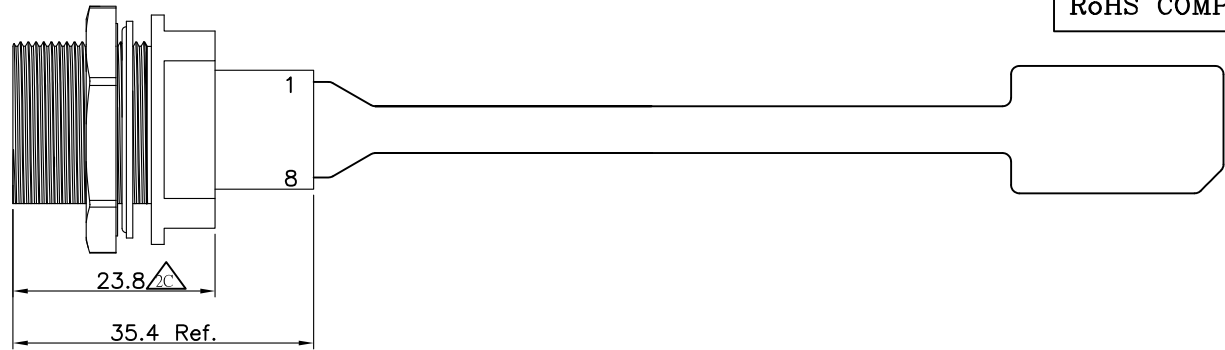
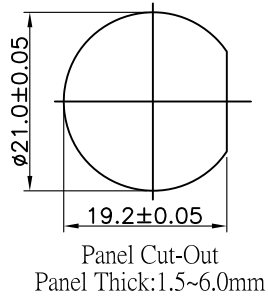


RoHS COMPLIANT



- Note:
1. Plastic Housing: Engineering Thermoplastic
Flammability Rating UL 94V-0.
 2. Nut: Engineering Thermoplastic
Flammability Rating UL 94V-0.
 3. Contacts: Phosphor Bronze · Gold Plating Over Nickel In Contact.
 4. Gasket: Silicone.
 5. SIM: Nano SIM Push · SPPN07-A0-8500 ·
 6. FPC: GFP-330221-40804G.
 7. Nut Installation Torque Range: 16~18kg-cm.

REVISION NOTE	TOLERANCE	ARTICLE NANOSIM+STANDARDSIM 20CM		
	.XXX ±0.10	DWG NO. SIMNM		
	.XX ±0.25			
	.X ±0.38	UNIT mm	SCALE	SHEET 1/1
	X ±0.50			REV.
	ANG ±3°	